

CFLJ

CFLJ

2005

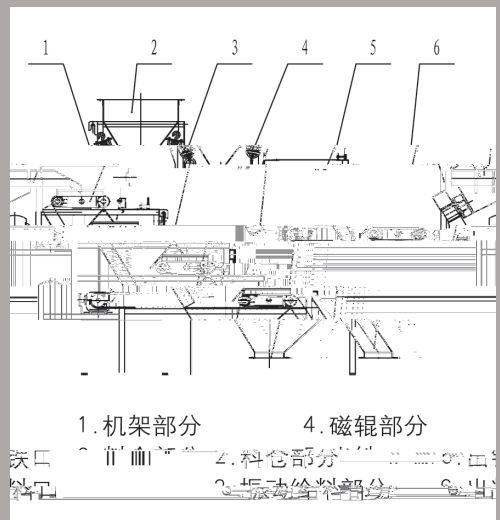
2006

(Application):



:

2. 2T



(Technical Parameter):

	mm	Gs	mm	μm	(t/h)	(kw)
CFLJ- 3-	300	15000- 20000	0.5- 3	125- 1000	0.4 1	0.55
CFLJ- 3-						1.1
CFLJ- 5-	500	15000- 20000	0.5- 3	125- 1000	0.8 2	0.55
CFLJ- 5-						1.1
CFLJ- 8-	800	15000- 20000	0.5- 3	125- 1000	1.2 3.6	0.75
CFLJ- 8-						1.5
CFLJ- 10-	1000	15000- 20000	0.5- 3	125- 1000	3 7.2	1.1
CFLJ- 10-						2.2
CFLJ- 12-	1200	15000- 20000	0.5- 3	125- 1000	4.8 9.6	0.75
CFLJ- 12-						1.1
CFLJ- 12-						1.5
CFLJ- 15-	1500	15000- 20000	0.5- 3	125- 1000	7 10	0.75
CFLJ- 15-						1.5
CFLJ- 15-						
CFLJ- 15-						3